

world leaders in the art of linear measurement

**wigauge™**

**solartron**
metrology

Datasheet
502856
Issue 2
EDCR 18820

New Wireless Bore Gauge (WBG)

- 10mm & 6mm Diameter fixing threads (as used on most popular Gauge Heads)
- Up to 0.1µm resolution (user selectable)
- Up to 15 Metre Data transmission, via Class 1 *Bluetooth®*
- Up to 7 WBG connected to a single system
- 10 hours battery life (based on continuous data transmission)
- Fast battery recharge
- IP 65 protection
- Pass/Fail range lamps
- Audio indication of data transmission



The freedom to roam with Solartron's new **wigauge** brings increased efficiency to gauging stations and work practices. The ability to work without the obstacles that cables put onto conventional electronic gauges means that the gauging process is not restricted by cable length and routing, or the risk of cable damage.

The audio and visual Pass/Fail' indicators on the **wigauge** give the operator the opportunity to decide whether or not to remove a component from a machine tool while the reading is logged into a system that can be up to 15 metres away. The rugged construction and class 1 *Bluetooth®* communication ensure that it is able to work reliably in the often hostile environment of an engineering machine shop.

Post process gauging stations become more flexible and with the ability to connect up to 7 WBG's to a single receiver, cable tangles are eliminated in multi point gauging applications.

Technical Specification

Measurement Performance	
Internal Transducer Mechanical Travel	11mm
Internal Transducer Measurement Range	10mm
Internal Transducer Pre travel	0.15mm
Internal Transducer –Accuracy	0.1µm + 0.1%D (Where D= displacement in mm)
Internal Transducer Tip Force	1.2N ± 20% @ mid-position
Hand tool Accuracy	Dependent on gauge head fitted
Hand Tool repeatability	Dependent on gauge head fitted
Resolution	Down to 0.1µm (user selectable)
Bluetooth Performance	
Reading Rate	Streaming Mode: 67 readings per second maximum. (Can be set to lower data rates by controller)
Range	The hand tool is a Class 1 <i>Bluetooth</i> ® device which has a range of 100m. However in a normal industrial environment a range of 15m is most likely.
Battery Life	
Supplied battery pack	10 hours based on continuous data transmission Using supplied rechargeable battery pack.
Functionality	
Auto Power Down	Auto power down can be set to either OFF or from 1 to 600 seconds.
Zero	The reading can be zeroed by a command from the controller.
User Interface	
Controls	Two buttons.
Indications	Buttons illuminate to indicate different criteria, including Pass/Fail range Lamps, Low Battery power and <i>Bluetooth</i> ® status
Environmental	
Sealing	IP65
Operating Temperature	+10°C to +50°C
Storage Temperature	0°C to + 60°C
EMC - Immunity	EN61000-6-2:2001 (Radiated Only)
EMC - Emmissions	EN61000-6-3:2001 (Radiated Only)

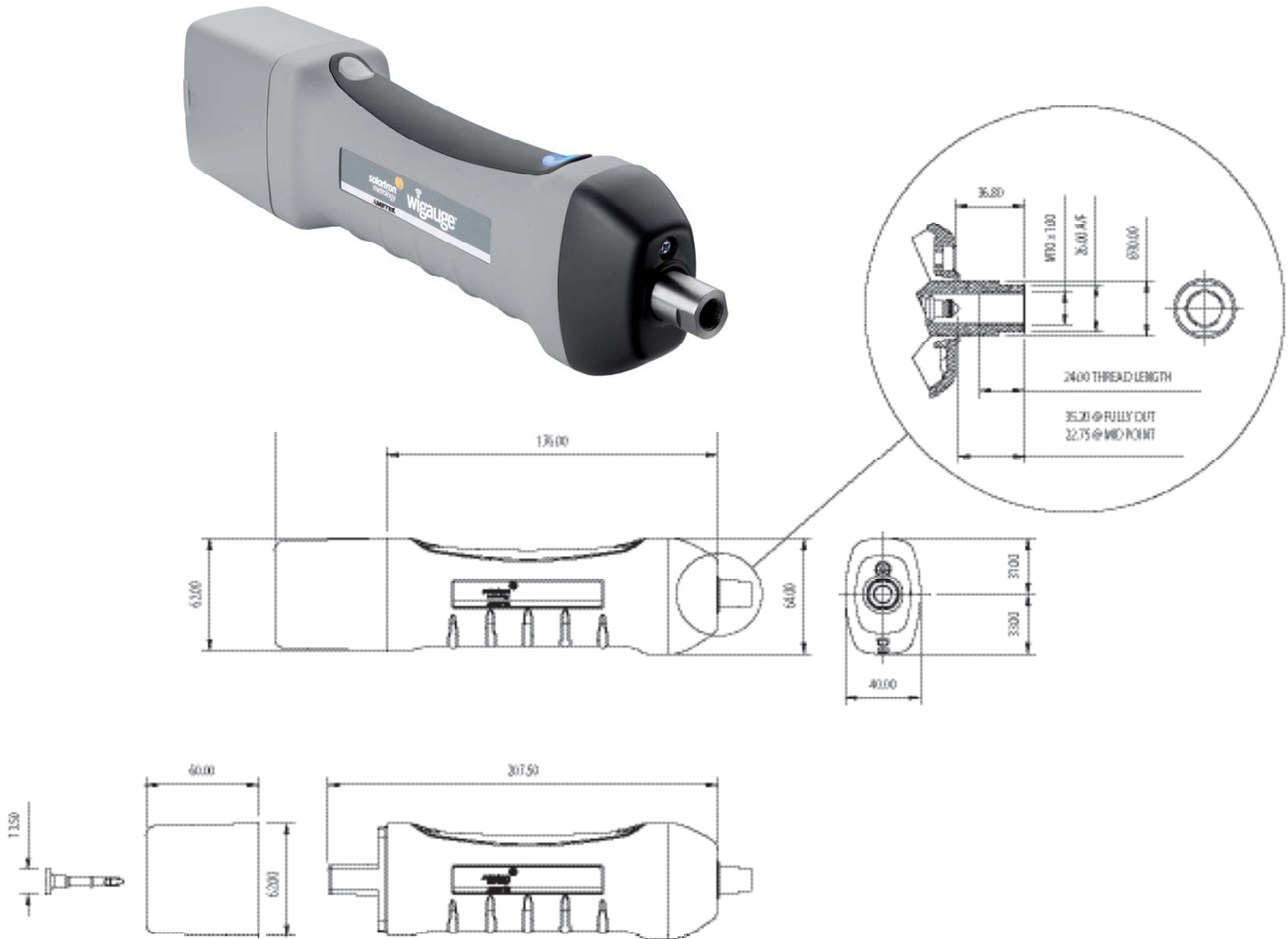
Setting up the *wigauge* to communicate with a Bluetooth® enabled PC is quick and easy using the drivers supplied on a CD-ROM.

Solartron Metrology recommends using the *Bluetooth*® USB Adapter supplied with the *wigauge* pack to obtain the most reliable data communication to the PC.



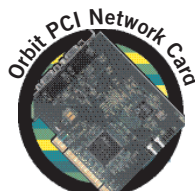
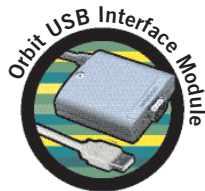
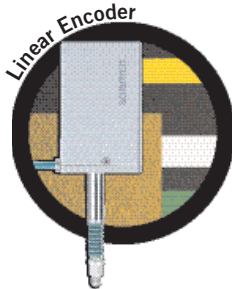
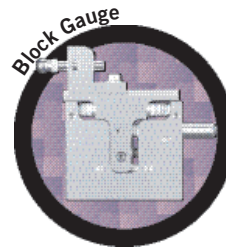
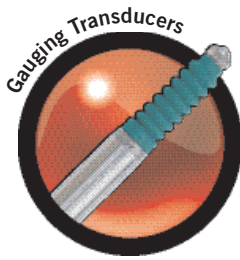
The **wigauge** (WBG) is compatible with industry standard 10mm and 6mm gauge head threads. The internal transducer has a 10mm measuring range that enables it to cope with any variations in thread or gauge pin length.

The Transducer is linear along its entire travel while still maintaining 0.1µm resolution, making it easier to set up compared with conventional Analogue gauges.



Part Number	Packages
973177K-UK/EU/US	wigauge (WBG) + 2 x Battery, 1 x Charger with Mains Lead, 1 x Bluetooth® Adapter, 1 x Manual/CD-ROM
973176K-UK/EU/US	wigauge (WBG) + 2 x Battery, 1 x Charger with Mains Lead
Part Number	Accessories
973167	wigauge (WBG) Body Only
805811-SX	Class 1 <i>Bluetooth</i> ® USB Adapter
805794-SX	Battery Pack
805812-UK/EU/US	Charger with Mains Lead
009317	Manual
209380	M6 Adapter

The *Bluetooth*® word mark and logos are registered trademarks owned by *Bluetooth* SIG, Inc and any use of such marks by Solartron Metrology is under license. Other trademarks and trade names are those of their respective owners



Solartron Metrology Offices

Addresses for Offices worldwide

United Kingdom - Head Office

Solartron Metrology
Steyning Way
Bognor Regis
West Sussex
PO22 9ST

Tel: +44 (0) 1243 833333
Fax: +44 (0) 1243 833332
sales.solartronmetrology@ametek.com

Germany
Ametek GmbH
Solartron Metrology Division
Rudolf-Diesel-Strasse 16
40670 Meerbusch

Tel: +49 (0) 2159 9136 500
Fax: +49 (0) 2159 9136 505
vertrieb.solartronmetrology@ametek.com

France
Solartron Metrology
Rond-point de l'Epine des Champs
Buroplus - Bat D
Elancourt, 78990

Tel: +33 (0)1 30 68 89 50
Fax: +33 (0)1 30 68 89 59
france.solartronmetrology@ametek.com

China - Shanghai
Solartron Metrology
Rm 912, Metro Tower
No 30 Tian Yao Qiao Road, Shanghai
200030

Tel: +86 21 6426 8111
Fax: +86 21 6426 7818
china.solartronmetrology@ametek.com

China - Beijing
Solartron Metrology
Room 2202, CITIC Building
#19, Jianguomenwai Dajie
Beijing
100004 P.R China

Tel: +86 10 8526 2111
Fax: +86 10 8526 2141
china.solartronmetrology@ametek.com

China - Chengdu
Solartron Metrology
AMETEK ChengDu Rep Office
Room 2408, Zongfu Building
35 Zongfu Road
Chengdu, Sichun, 610016, China

Tel: +86 28 8675 8111
Fax: +86 28 8675 8141
china.solartronmetrology@ametek.com

Japan
Solartron Metrology
4-5-37 Kamiosaki
Shinagawa-Ku
Tokyo
141-0021

Tel: +81(0) 3 3494 5131
Fax: +81 (0) 3 3494 5134
japan.solartronmetrology@ametek.com

U.S.A
Solartron Metrology
915 N.New Hope Road
Suite C, Gastonia
NC 28054, USA

Tel: +1 800 873 5838
Fax: +1 704 868 8466
usasales.solartronmetrology@ametek.com

Agent and Distributor details available at www.solartronmetrology.com



QSS
SENSORS AND COMPONENTS
QSS Quality Systems Solutions GmbH
Aemetstrasse 5
CH-8344 Bäretswil
T 0041 44 242 0000
F 0041 44 242 0010
info@qss-solutions.ch
www.qss-solutions.ch